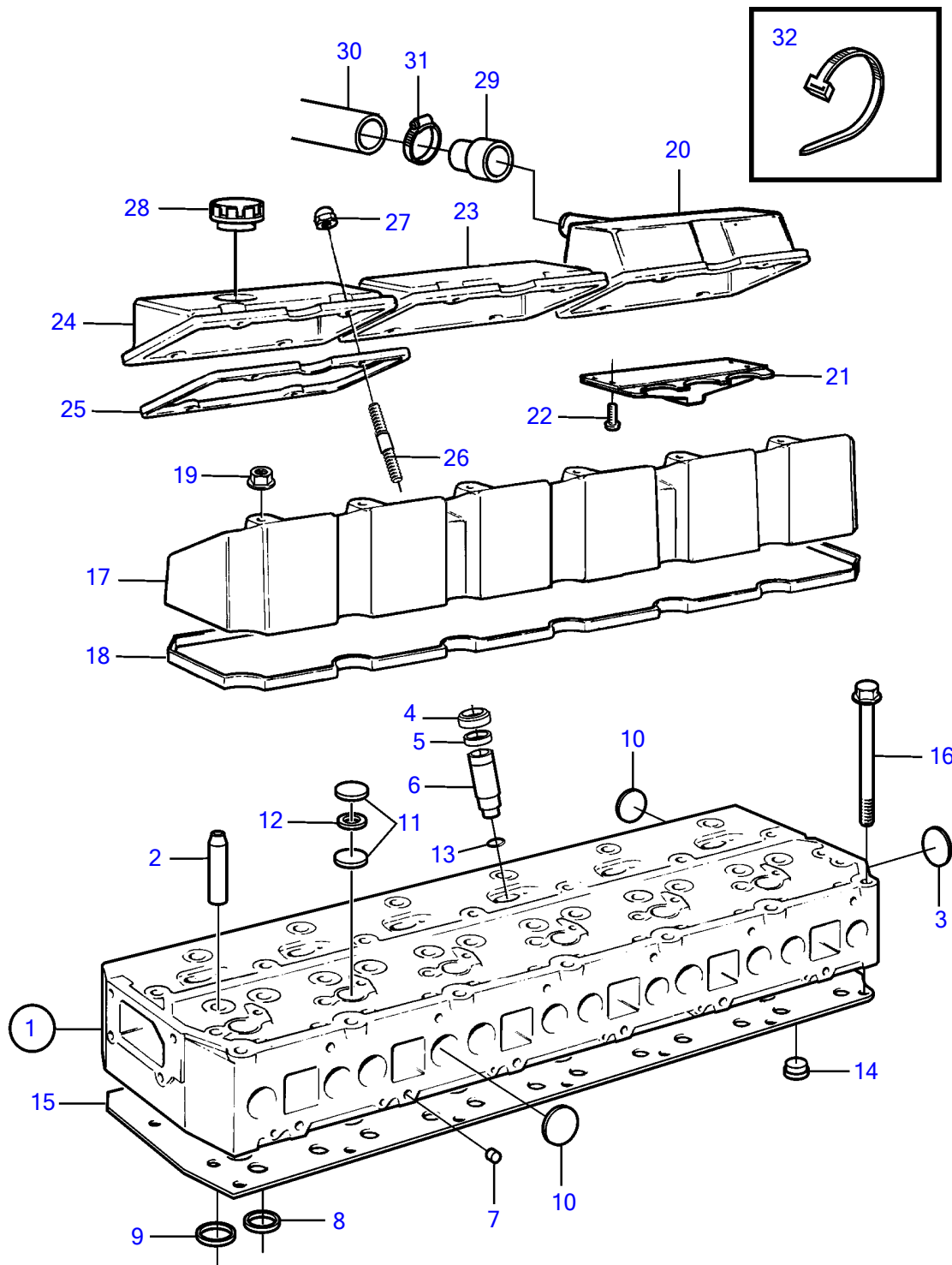


KAD43P-A, KAMD43P-A



KAD43P-A, KAMD43P-A

REF	PART NO.	QTY	DESCRIPTION	NOTES
1	3803308	1	Cylinder head	SN-2204303627, (861300) Repl by 3581554 SN2204303628-2243010235, (3581554) Repl by 3583900 SN2243010236-, (3583900) (419653)
2	3582561	12	• Valve guide	
3	968955	1	• Expansion plug	
4	838619	6	• Retainer	
5	838896	6	• Sealing ring	
6	861255	6	• Spray sleeve	For 861300
	3582429	6	• Spray sleeve	For 3581554
	3581536	6	• Spray sleeve	For 3583900
7	967853	12	• Cap plug	
8	858331	6	• Valve seat, exhaust	Std
	858332	6	• Valve seat, exhaust	Over size 0,20mm
9	860035	6	• Valve seat, inlet	Std
	860036	6	• Valve seat, inlet	Over size 0,20mm
10	477026	13	• Expansion plug	
11	967948	12	• Expansion plug	
12	949329	6	• Gasket	
13	838821	6	• O-ring	
14	465420	6	• Jet	
15	3583786	1	Cylinder head gasket	(3582433)
16	838775	27	Flange screw	
17	838649	1	Valve cover	
18	838653	1	Gasket	
19	945408	4	Flange nut	
20	860541	1	Valve cover	Replaced by 860542, 860601 & 977771
	860542	1	• Valve cover	
21	860601	1	• Insert	
22	977771	4	• Flange screw	
23	838650	1	Valve cover	
24	838651	1	Valve cover	
25	838654	3	Gasket	
26	1542380	12	Stud	(953034)
27	968458	12	Flange cap nut	
28	1275403	1	Oil filler cap	
29	861114	X	Protecting sleeve	
30	946234	X	Tube	L=380mm
31	943472	1	Hose clamp	
32	948211	1	Cable tie	